

VENTING FRONT,  
SIDES AND REAR,  
TOP AND BOTTOM

- NOTE:
1. 19" EIA RACK MOUNT COMPLIANT.
  2. RAILS ACCEPT 3/8" CAGENUT.
  3. BLACK POWDER COAT.

**PROPRIETARY AND CONFIDENTIAL**  
THE INFORMATION CONTAINED IN THIS DRAWING IS THE SOLE PROPERTY OF KENDALL HOWARD. ANY REPRODUCTION IN PART OR AS A WHOLE WITHOUT THE WRITTEN PERMISSION OF KENDALL HOWARD IS STRICTLY PROHIBITED.

|                  |         |
|------------------|---------|
| <b>WEB PRINT</b> |         |
| NEXT ASSY        | USED ON |
| APPLICATION      |         |

|  |  |
|--|--|
| UNLESS OTHERWISE SPECIFIED:<br>DIMENSIONS ARE IN INCHES<br>TOLERANCES:<br>FRACTIONAL ± 1/8<br>ANGULAR: BEND ± 1 DEGREE<br>TWO PLACE DECIMAL ± .03<br>THREE PLACE DECIMAL ± .01 |  |
| Surface Area   |  |
| MATERIAL   |  |
| FINISH   |  |
| DO NOT SCALE DRAWING   |  |

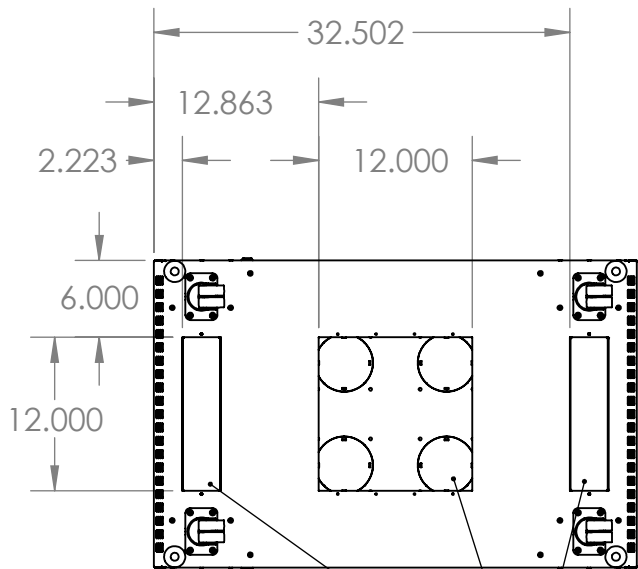
|           |      |
|-----------|------|
| NAME      | DATE |
| DRAWN     |      |
| CHECKED   |      |
| ENG APPR. |      |
| MFG APPR. |      |
| Q.A.      |      |
| COMMENTS: |      |

**KENDALL HOWARD**

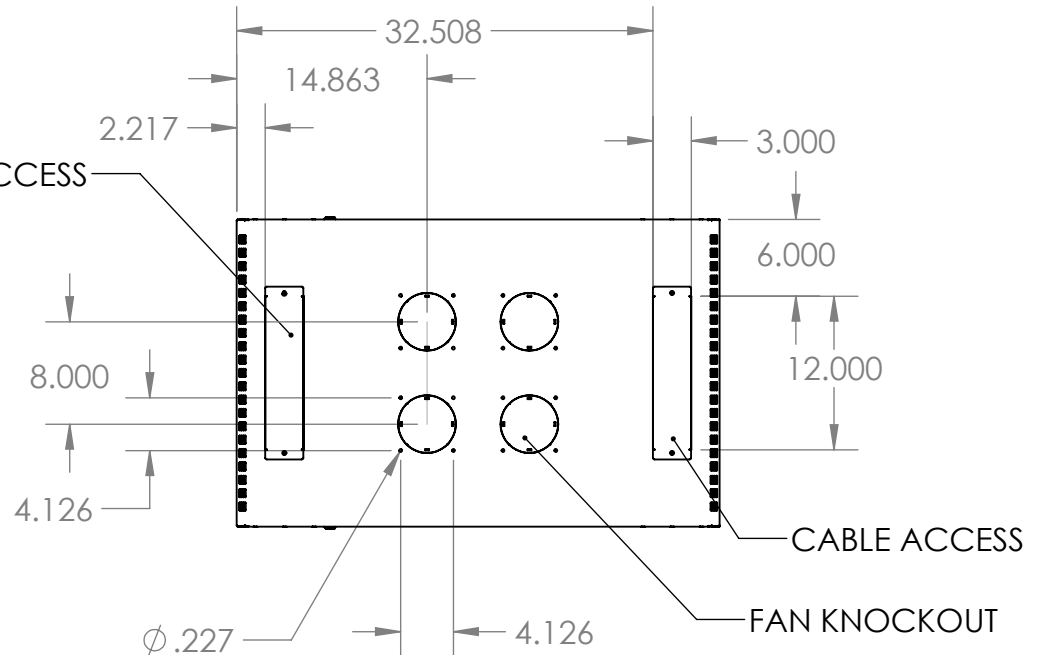
TITLE:  
**42U LINIER FS  
NO DOORS**

|          |                         |     |
|----------|-------------------------|-----|
| SIZE     | DWG. NO.                | REV |
| <b>A</b> | <b>3180-3-001-42 WP</b> |     |

SCALE: 1:20 WEIGHT: 131.22 SHEET 1 OF 2



VIEW A-A  
SCALE 1 : 15  
BOTTOM VIEW



VIEW B-B  
SCALE 1 : 15  
TOP VIEW

**PROPRIETARY AND CONFIDENTIAL**  
THE INFORMATION CONTAINED IN THIS DRAWING IS THE SOLE PROPERTY OF KENDALL HOWARD. ANY REPRODUCTION IN PART OR AS A WHOLE WITHOUT THE WRITTEN PERMISSION OF KENDALL HOWARD IS STRICTLY PROHIBITED.

**WEB PRINT**

|             |         |
|-------------|---------|
| NEXT ASSY   | USED ON |
| APPLICATION |         |

UNLESS OTHERWISE SPECIFIED:  
DIMENSIONS ARE IN INCHES  
TOLERANCES:  
FRACTIONAL  $\pm 1/8$   
ANGULAR: BEND  $\pm 1$  DEGREE  
TWO PLACE DECIMAL  $\pm .03$   
THREE PLACE DECIMAL  $\pm .01$

|                      |  |
|----------------------|--|
| Surface Area         |  |
| MATERIAL             |  |
| FINISH               |  |
| DO NOT SCALE DRAWING |  |

|           | NAME | DATE |
|-----------|------|------|
| DRAWN     |      |      |
| CHECKED   |      |      |
| ENG APPR. |      |      |
| MFG APPR. |      |      |
| Q.A.      |      |      |
| COMMENTS: |      |      |

|   |                                     |              |
|---|-------------------------------------|--------------|
| <b>KENDALL HOWARD</b>                       |                                     |              |
| TITLE:<br><b>42U LINIER FS<br/>NO DOORS</b> |                                     |              |
| SIZE<br><b>A</b>                            | DWG. NO.<br><b>3180-3-001-42 WP</b> | REV          |
| SCALE: 1:20                                 | WEIGHT: 131.22                      | SHEET 2 OF 2 |