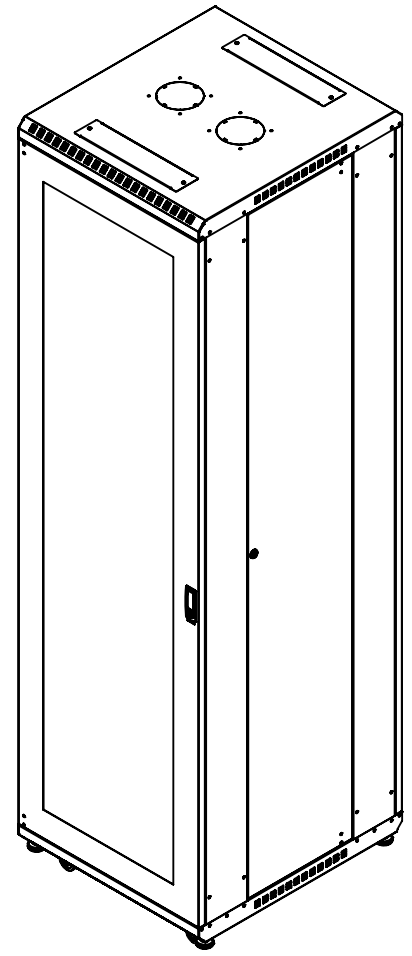


ITEM NO.	PART NUMBER	DESCRIPTION	QTY.
1	K102946	COMMON FRAME- 45U LINIER 24 INCH DEEP	1
2	K102943	SIDE DOOR ASSEMBLY- 45U LINIER 24 INCH DEEP	2
3	cp-1195	LOCK- 7/8" BARREL	2
4	cp-1197	CAM, LOCK- .575 X .913	2
5	cp-1024	BEARING, HINGE- PLASTIC	12
6	K102929	GLASS DOOR ASSY- 45U LINIER FS	2
7	cp-1020	HANDLE, COMPRESSION- LOCKING	2



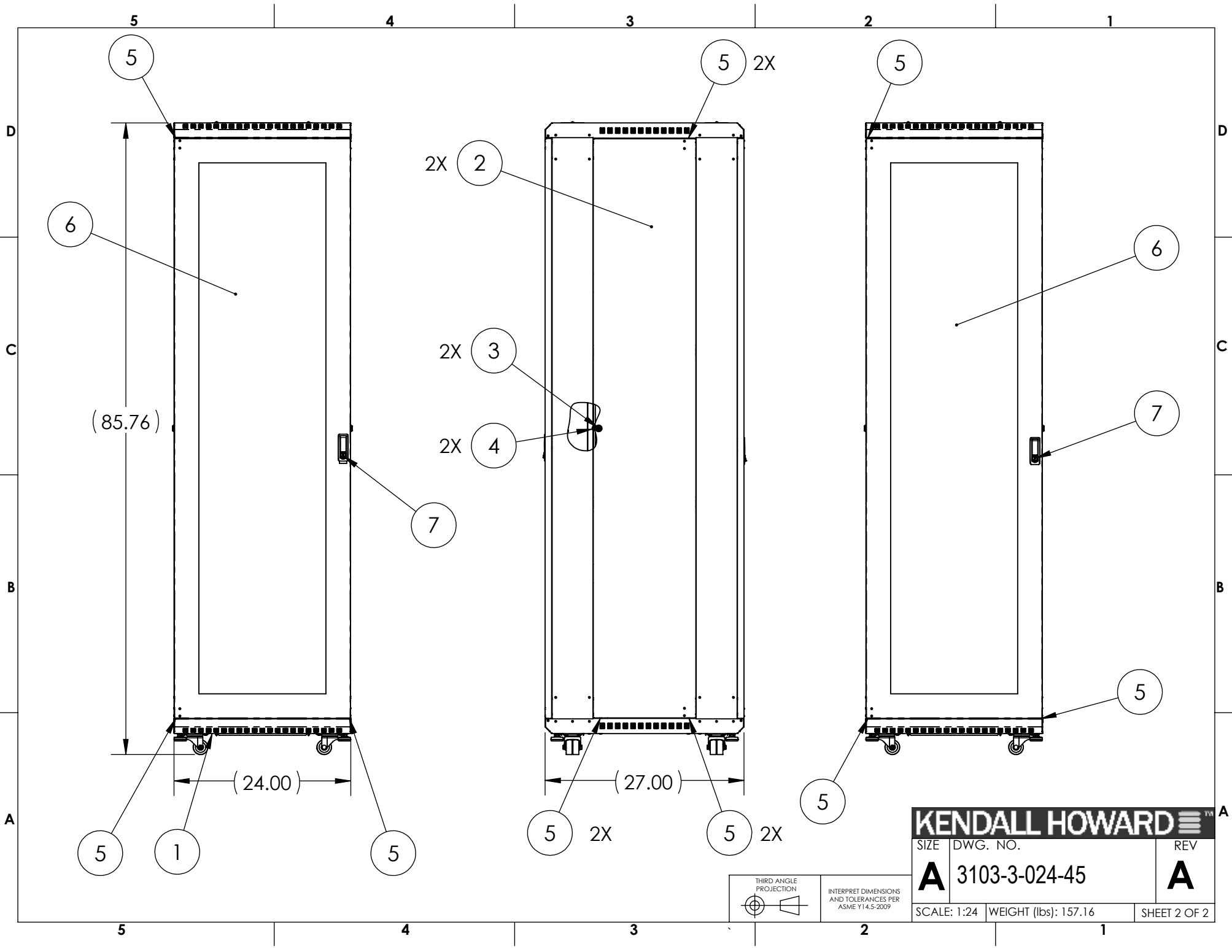
<p><b>KENDALL HOWARD CONFIDENTIAL</b> THE INFORMATION CONTAINED IN THIS DRAWING IS THE SOLE PROPERTY OF KENDALL HOWARD. ANY REPRODUCTION IN PART OR AS A WHOLE WITHOUT THE WRITTEN PERMISSION OF KENDALL HOWARD IS STRICTLY PROHIBITED.</p> <p><b>MANUFACTURING COMMENTS:</b></p>	<p>UNLESS OTHERWISE SPECIFIED, ALL DIMENSIONS ARE IN INCHES.</p> <p>TOLERANCES: FRACTIONAL: ±1/8 ANGULAR: ±1° TWO PLACE DECIMAL: ±.03 THREE PLACE DECIMAL: ±.010 HOLE: ±.005</p>	<p><b>APPROVAL</b></p> <p>DRAWN BS 11/15/2023</p> <p>DESIGN BS 11/16/2023</p> <p>ENG APPR</p> <p>MFG APPR</p>	<p><b>DATE</b></p> <p>11/15/2023</p> <p>11/16/2023</p>	<p><b>KENDALL HOWARD</b></p> <p>TITLE: <b>45U LN FS- GLASS DOOR / GLASS DOOR- 24 INCH DEEP</b></p> <p>SIZE DWG. NO. REV</p> <p><b>A</b> 3103-3-024-45 <b>A</b></p>
	<p>MATERIAL: SEE BOM</p> <p>SURFACE AREA (in<sup>2</sup>): NA</p> <p>FINISH ID: NA</p> <p>FINISH DESCRIPTION: NA</p>	<p>LEGACY Part Number:</p> <p>CLASSIFICATION:</p>	<p>THIRD ANGLE PROJECTION</p> <p>INTERPRET DIMENSIONS AND TOLERANCES PER ASME Y14.5-2009</p>	
	<p>DO NOT SCALE DRAWING</p>	<p>SCALE: 1:24</p> <p>WEIGHT (lbs): 157.16</p>	<p>SHEET 1 OF 2</p>	
	<p>ECO No: 205</p> <p>Description: Initial Release</p> <p>By: BS</p> <p>Date: 11/16/2023</p> <p>App By: BS</p>	<p>SCALE: 1:24</p> <p>WEIGHT (lbs): 157.16</p>	<p>SHEET 1 OF 2</p>	

D  
C  
B  
A

D  
C  
B  
A

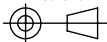
5 4 3 2 1

5 4 3 2 1



**KENDALL HOWARD** 

SIZE	DWG. NO.	REV
<b>A</b>	3103-3-024-45	<b>A</b>
SCALE: 1:24	WEIGHT (lbs): 157.16	SHEET 2 OF 2

THIRD ANGLE PROJECTION  INTERPRET DIMENSIONS AND TOLERANCES PER ASME Y14.5-2009