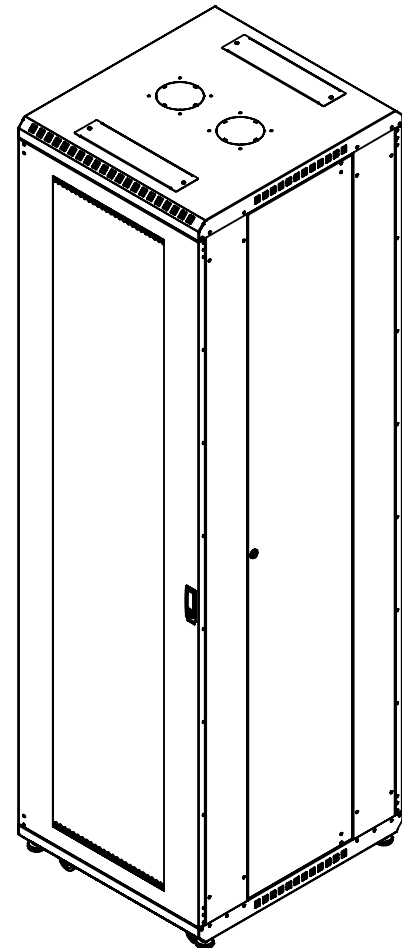


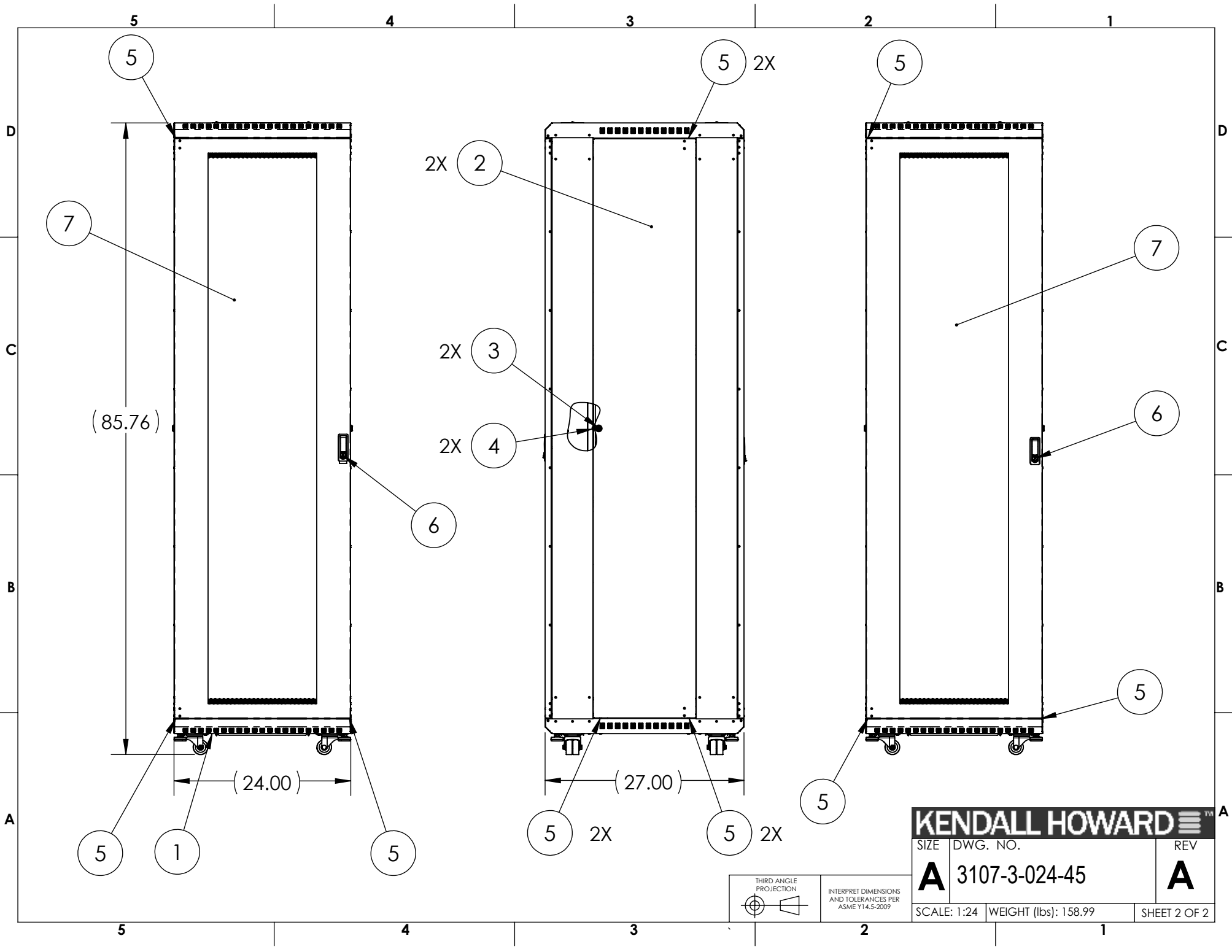
ITEM NO.	PART NUMBER	DESCRIPTION	QTY.
1	K102946	COMMON FRAME- 45U LINIER 24 INCH DEEP	1
2	K102943	SIDE DOOR ASSEMBLY- 45U LINIER 24 INCH DEEP	2
3	cp-1195	LOCK- 7/8" BARREL	2
4	cp-1197	CAM, LOCK- .575 X .913	2
5	cp-1024	BEARING, HINGE- PLASTIC	12
6	cp-1020	HANDLE, COMPRESSION- LOCKING	2
7	K102942	VENTED DOOR ASSY- 45U LINIER FS	2



KENDALL HOWARD CONFIDENTIAL THE INFORMATION CONTAINED IN THIS DRAWING IS THE SOLE PROPERTY OF KENDALL HOWARD. ANY REPRODUCTION IN PART OR AS A WHOLE WITHOUT THE WRITTEN PERMISSION OF KENDALL HOWARD IS STRICTLY PROHIBITED.	UNLESS OTHERWISE SPECIFIED, ALL DIMENSIONS ARE IN INCHES.		APPROVAL		DATE
	TOLERANCES: FRACTIONAL: ±1/8 ANGULAR: ±1° TWO PLACE DECIMAL: ±.03 THREE PLACE DECIMAL: ±.010 HOLE: ±.005		DRAWN BS	11/15/2023	KENDALL HOWARD
	MATERIAL: SEE BOM		DESIGN BS	11/16/2023	
	SURFACE AREA (in²): NA		ENG APPR		
FINISH ID: NA		LEGACY Part Number:		TITLE:	
FINISH DESCRIPTION: NA		CLASSIFICATION:		45U LN FS- VENTED DOOR / VENTED DOOR- 24 INCH DEEP	
MANUFACTURING COMMENTS:		DO NOT SCALE DRAWING		SIZE	
				DWG. NO.	
		INTERPRET DIMENSIONS AND TOLERANCES PER ASME Y14.5-2009		A 3107-3-024-45	
				REV	
				A	

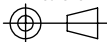
207	Initial Release	BS	11/16/2023	BS
ECO No:	Description:	By:	Date:	App By:

SCALE: 1:24			WEIGHT (lbs): 158.99			SHEET 1 OF 2		
--------------------	--	--	-----------------------------	--	--	---------------------	--	--



KENDALL HOWARD 

SIZE	DWG. NO.	REV
A	3107-3-024-45	A
SCALE: 1:24	WEIGHT (lbs): 158.99	SHEET 2 OF 2

THIRD ANGLE PROJECTION 

INTERPRET DIMENSIONS AND TOLERANCES PER ASME Y14.5-2009