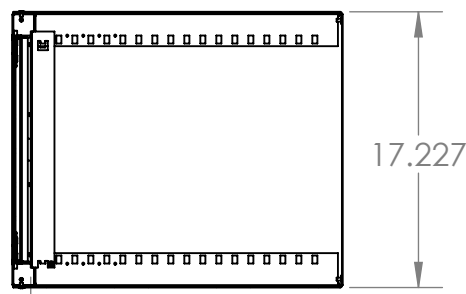
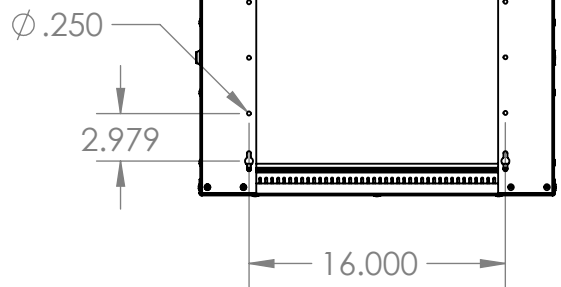
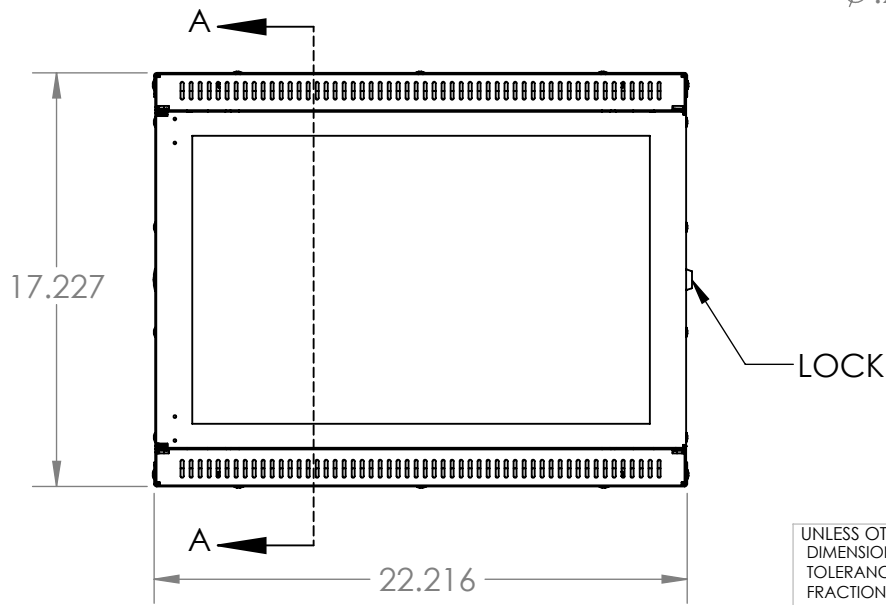


19.443 MAX
 COMPONENT DEPTH



SECTION A-A
 SCALE 1 : 12



- NOTE:
1. BLACK POWDER COAT.
 2. 19" EIA RACK MOUNT COMPLIANT.
 3. RAILS ACCEPT 3/8" CAGE NUT.
 4. KEYED LOCKING GLASS DOOR OPENS 180°

UNLESS OTHERWISE SPECIFIED:
 DIMENSIONS ARE IN INCHES
 TOLERANCES:
 FRACTIONAL: $\pm 1/8$
 ANGULAR: BEND ± 1 DEGREE
 TWO PLACE DECIMAL $\pm .03$
 THREE PLACE DECIMAL $\pm .01$
 Surface Area

	NAME	DATE
DRAWN	BS	03/17/2014
CHECKED		
ENG APPR.		
MFG APPR.		
Q.A.		
COMMENTS:		

KENDALL HOWARD

TITLE:
8U WALL MOUNT RACK

SIZE	DWG. NO.	REV
A	1915-3-100-08 WP	-

SCALE: 1:15 WEIGHT: 38.53 SHEET 1 OF 1

WEB PRINT

PROPRIETARY AND CONFIDENTIAL
 THE INFORMATION CONTAINED IN THIS DRAWING IS THE SOLE PROPERTY OF KENDALL HOWARD. ANY REPRODUCTION IN PART OR AS A WHOLE WITHOUT THE WRITTEN PERMISSION OF KENDALL HOWARD IS STRICTLY PROHIBITED.

NEXT ASSY	USED ON	FINISH
APPLICATION		DO NOT SCALE DRAWING