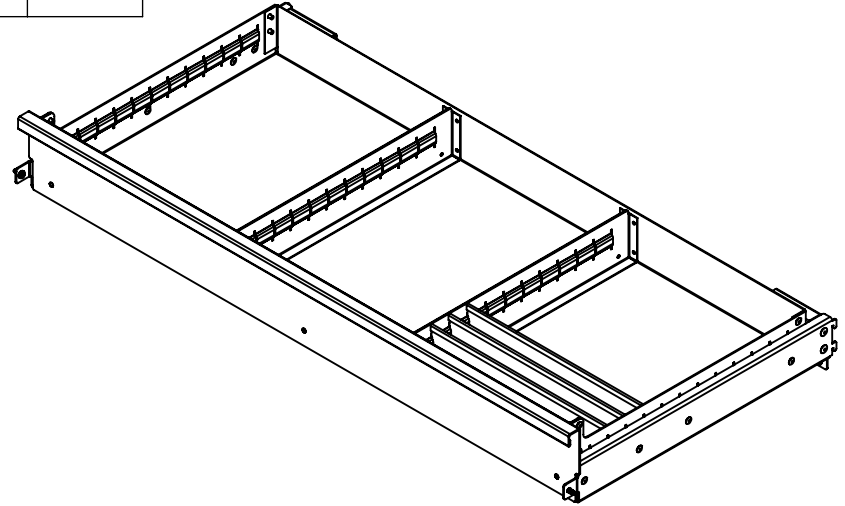


ITEM NO.	PART NUMBER	DESCRIPTION	QTY.
1	A-2552	FULL DRAWER ASSEMBLY- ESD CABINET (BLACK)	1
2	A-2550	RIGHT DRAWER SLIDE ASSEMBLY- ESD CABINET	1
3	A-2548	LEFT DRAWER SLIDE ASSEMBLY- ESD CABINET	1
4	ESDC-7836-1205	SKU, DRAWER DIVIDER- ESD CABINET	3
5	H0548	SCREW, PAN, THREAD FORMING, TORX- 8-32 X .375	6



NOTE:
 1. SLIDING DRAWER EXTENSION, 14".
 2. MAXIMUM DRAWER LOADING, 50lbs.
 3. DRAWER IS CONDUCTIVE AND WILL NOT PROVIDE ESD PROTECTION UNLESS IT IS INSTALLED IN THE ESD CABINET ESDC-7836-1000.

KENDALL HOWARD CONFIDENTIAL THE INFORMATION CONTAINED IN THIS DRAWING IS THE SOLE PROPERTY OF KENDALL HOWARD. ANY REPRODUCTION IN PART OR AS A WHOLE WITHOUT THE WRITTEN PERMISSION OF KENDALL HOWARD IS STRICTLY PROHIBITED.					UNLESS OTHERWISE SPECIFIED, ALL DIMENSIONS ARE IN INCHES. TOLERANCES: FRACTIONAL: ±1/8 ANGULAR: ±1° TWO PLACE DECIMAL: ±.03 THREE PLACE DECIMAL: ±.010 HOLE: ±.005			APPROVAL DRAWN BS 03/19/2021 DESIGN BS 03/22/2021 ENG APPR MFG APPR		DATE 03/19/2021 03/22/2021		KENDALL HOWARD	
MANUFACTURING COMMENTS:					MATERIAL: NA SURFACE AREA (in²): NA FINISH ID: NA FINISH DESCRIPTION: NA			LEGACY Part Number:		TITLE: SKU, SLIDING DRAWER- ESD CABINET			
N/A Initial Release		BS	03/22/2021	-	CLASSIFICATION: ESD Cabinets			SIZE DWG. NO. REV A ESDC-7836-1200 A		SCALE: 1:8 WEIGHT (lbs): 17.84 SHEET 1 OF 1			
ECO No:	Description:	By:	Date:	App By:	THIRD ANGLE PROJECTION 			INTERPRET DIMENSIONS AND TOLERANCES PER ASME Y14.5-2009					
DO NOT SCALE DRAWING													