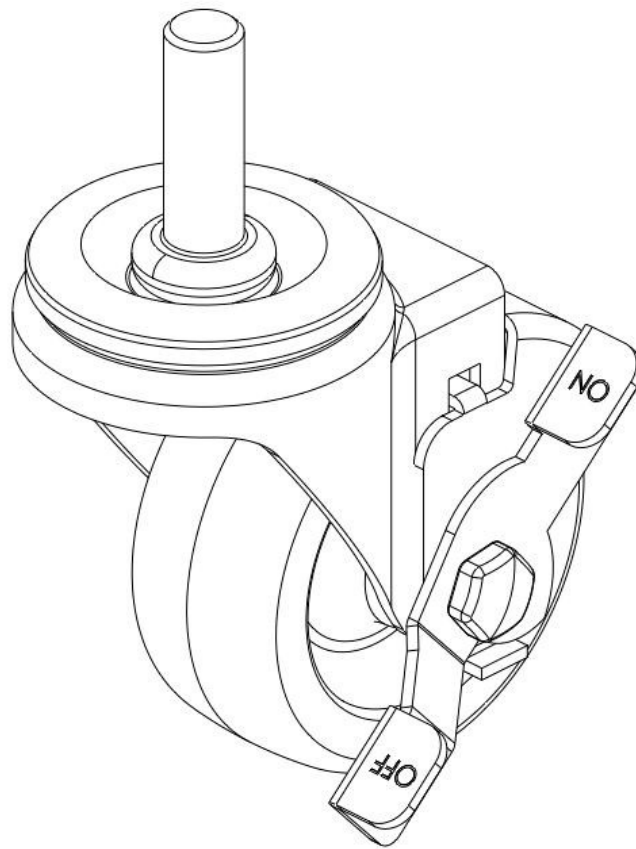


KENDALL HOWARD ®

Assembly Instructions

LAN Station Caster Kit

Part Numbers: 5200-3-001-00, 5200-3-002-00



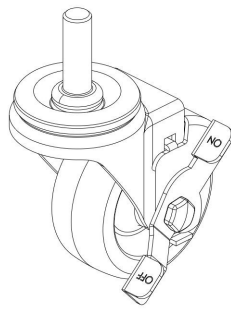
Address: 10152 Liberty Lane
Chisago City, Minnesota, 55013
United States of America

Phone: 651-213-1333

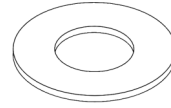
Fax: 800-418-6897

www.kendallhoward.com

What's in the box?

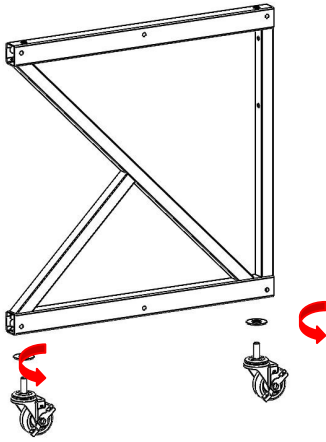


QTY 4 - Swivel Casters (Corner kit includes six casters.)

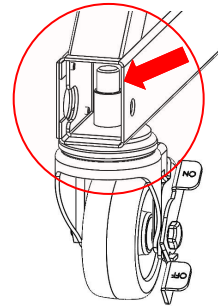


QTY 4 - Caster Washer (Corner kit includes six caster washers)

Step 1: Insert stem of casters through washers.

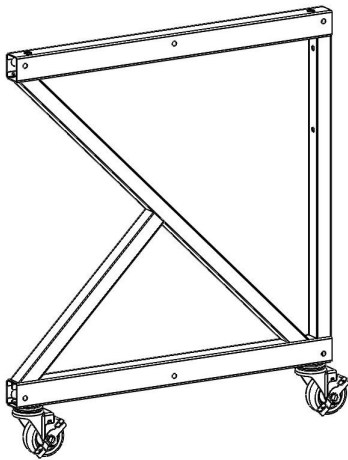


Step 2: Thread each caster all the way in to the insert so that no threads are exposed.



*Failure to do so will result in the caster failing and causing damage to the leg.

End Result:



For details about product warranty, please visit www.kendallhoward.com

DISCLAIMER: Kendall Howard LLC. endeavors to make this manual accurate and complete. However, Kendall Howard LLC makes no representations or warranties of any kind, expressed or implied, about whether the use of products contained herein would infringe any rights or the correctness, accuracy or reliability of the information contained herein or that said information covers all details, conditions or variations. The information herein does not provide for every possible contingency in connection with the installation or use of the product(s). The information contained in this document is subject to change without notice or obligation. Kendall Howard LLC assumes no responsibility for the accuracy, completeness or reliability of the information contained in this document. Any reliance placed on the information is therefore strictly at your own risk.